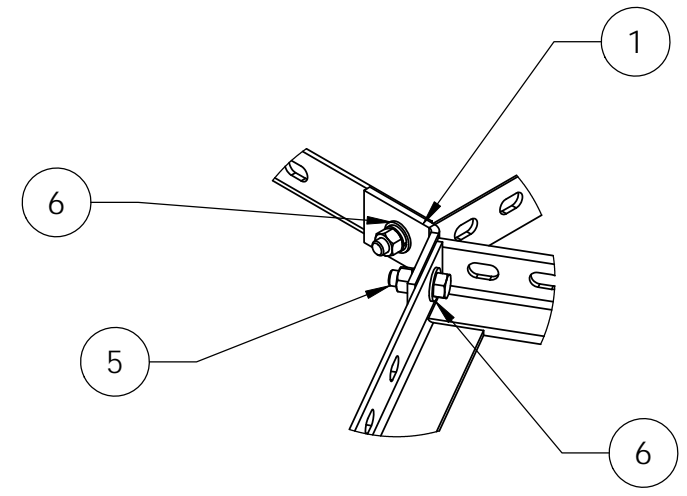
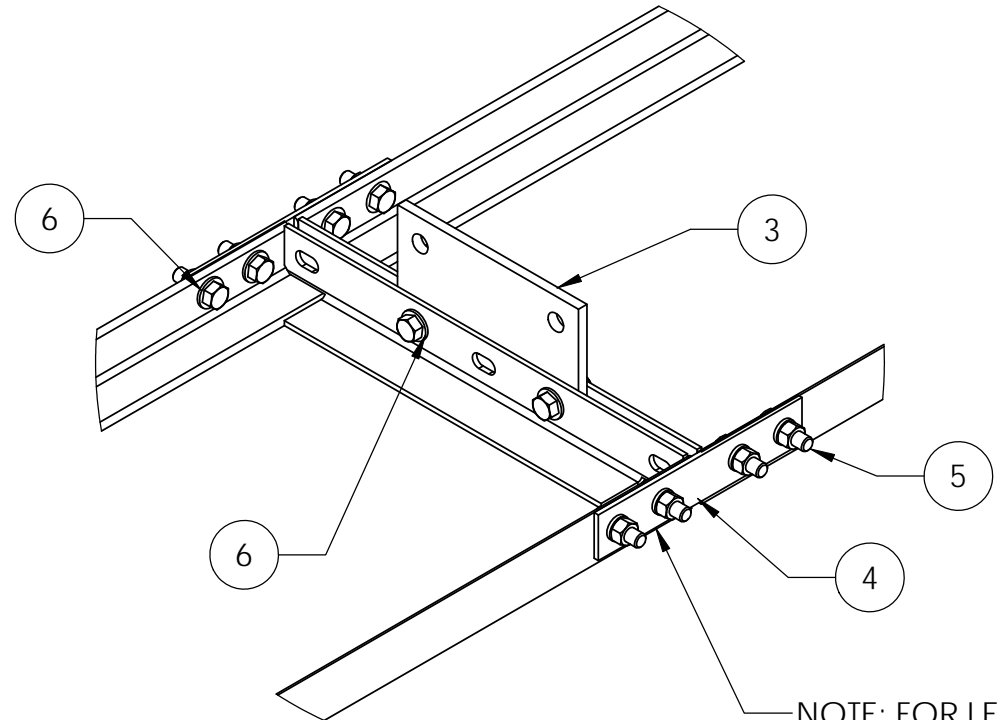


ITEM	PART NO.	DESCRIPTION	QTY.	WEIGHT
1	MT416.06	CORNER BRACKET	3	0.79 LBS
2	MT416.10	WLDMNT BALLAST SLED FRAME	6	22.40 LBS
3	MT416.13	CENTER PLATE	3	4.07 LBS
4	MT416.14	BRACE	6	0.78 LBS
5	GB-04145	1/2" X 1-1/2" GALV BOLT KIT	36	0.39 LBS
6	GW-04	1/2" GALV FLAT WASHER	48	0.04 LBS

REVISIONS				
REV.	ZONE	DESCRIPTION	BY	DATE
E		REVISED AND REDRAWN	JTS	04/19/01
F		UPDATE PART LIST	ACG	01/12/05
G		ADDED VIEWS	ACG	08/11/06
H		COMPLETE REDESIGN	MSM	01/28/08
J		UPDATE WASHER & CORNER BRKT QTY	MSM	07/20/10

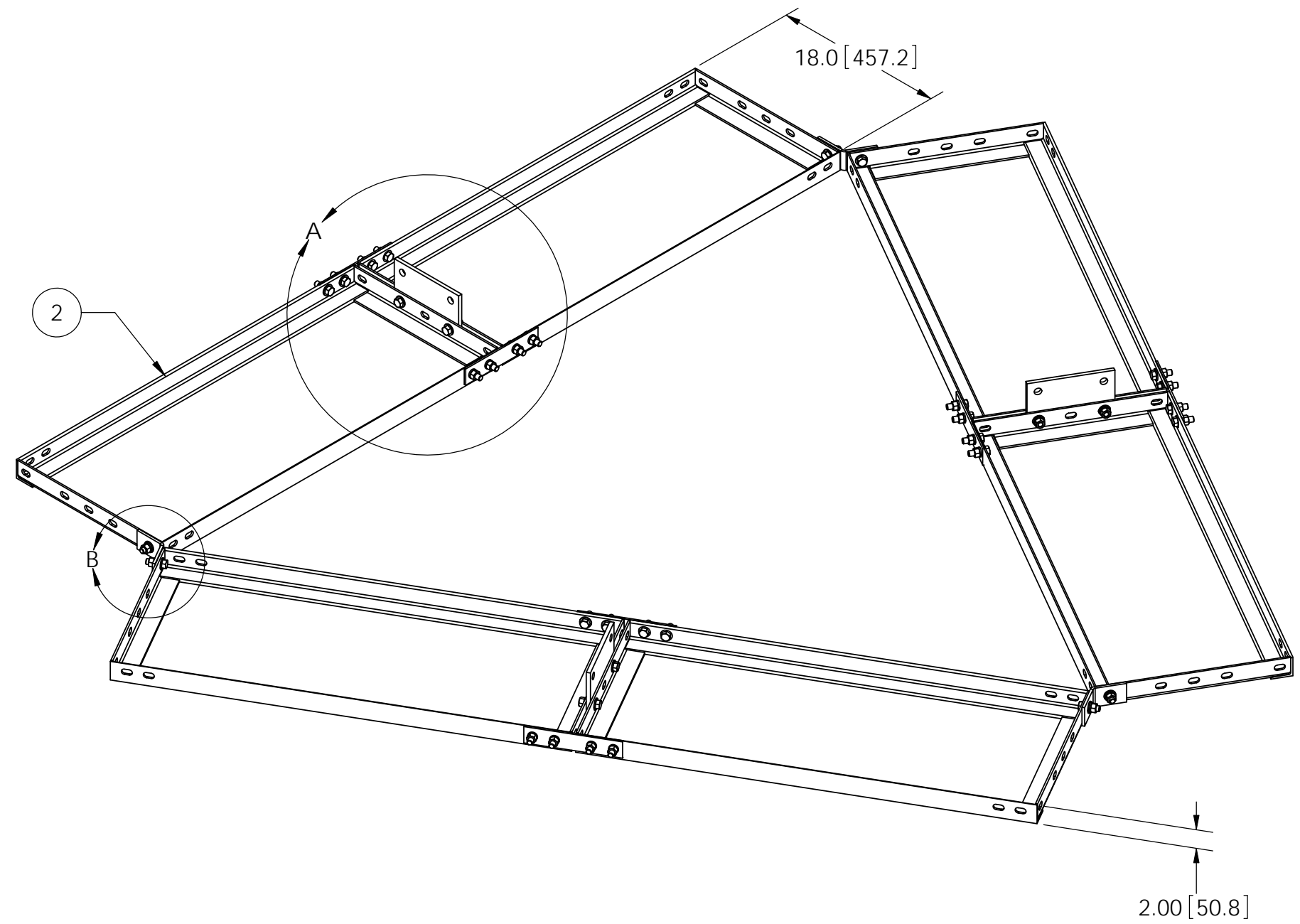


DETAIL B
SCALE 1 : 6



DETAIL A
SCALE 1 : 6

NOTE: FOR LEVEL APPLICATION TIGHTEN BOLTS TO OUTER SPLICE PLATES BEFORE THE BOLTS ARE TIGHTENED ON THE CENTER PLATE.



NOTES:
1. ALL METRIC DIMENSIONS ARE IN BRACKETS.

These drawings and specifications are the proprietary property of ANDREW CORPORATION and may be used only for the specific purpose authorized in writing by Andrew Corporation.

ALL DIMENSIONS ARE IN INCHES U.O.S.
TOLERANCES UNLESS OTHERWISE SPECIFIED:
.X = ± .12 ANGLES ±2°
.XX = ± .06 FRACTIONS ±1/32
.XXX = ± .03

REMOVE BURRS AND BREAK EDGES .005

DO NOT SCALE THIS PRINT

DRAWN BY: MSM	SHEET: 1 of 1	PART NUMBER: MT-416
CHECKED BY: TP	SCALE: NTS	DESCRIPTION: ASSEMBLY ROOF BALLAST SLED FOR TRIPODS
DATE: 01/28/08	MATERIAL: GALV A123	DRAWING TYPE: ASSEMBLY DRAWING
REVISION: J	WEIGHT: 161.36 LBS	

